

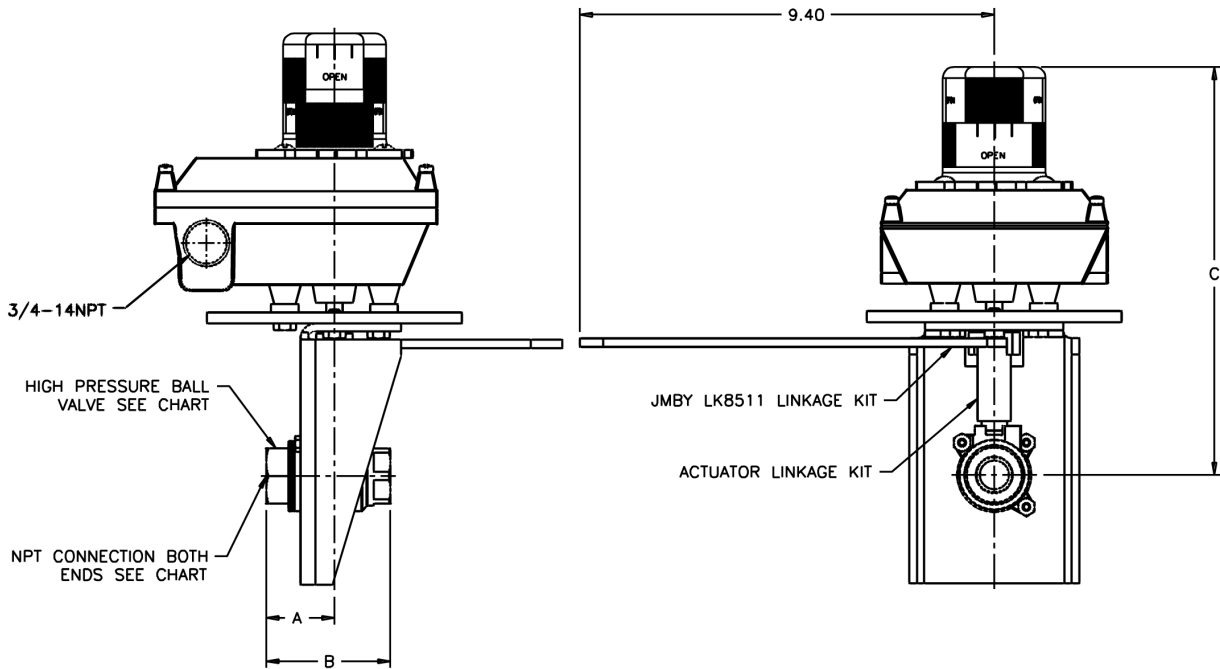
# CO<sub>2</sub> Component Description

## Lock-Out Valve, Stainless Steel (with Explosion Proof Limit Switch)

Effective: November 2016  
K-81-1420

### FEATURES

- For High Pressure CO<sub>2</sub> service with UL Listed, ULC Listed and FM Approved Systems
- See Kidde® Manual 220610 for USCG Approval
- NEMA 4, 4X
- Class 1, Division 1, Groups C & D
- Class 2, Division 1, Groups E, F & G
- T6 Temperature Rating (Ta=60C)



### Ordering Information

Valve Size	ASSY P/N	Ball Valve P/N	Dimensions			Approx. WT (lb)
			A	B	C	
1/4"	10611113	10611004	1.55	2.73	9.25	7
1/2"	10611114	10611100	1.55	2.73	9.25	7
3/4"	10611115	10611101	1.92	3.50	9.25	8
1"	10611116	10611099	1.92	3.60	9.25	9
1 1/4"	10611117	10611102	2.10	3.93	9.85	10
1 1/2"	10611118	10611098	2.47	4.55	10.05	12
2"	10611119	10611103	2.66	4.94	10.25	12

---

## MATERIALS

- **Body:** Stainless Steel, 316
- **Cap, Body:** Stainless Steel, 316
- **Ball:** Stainless Steel, 316
- **Stem:** Stainless Steel, 17-4PH

### Working Pressure:

- 4500-psig (0.25" - 1.00")
- 3000-psig (1.25" - 2.00")

### End Connection:

- FE x FE, NPT

### Limit Switch:

- 2 x SPDT, Form C
- 15A, 125/250 Vac
- 6A, 24Vdc
- 0.50A, 125 Vdc
- 0.25A, 250 Vdc

### Reference Data Sheets:

- K-81-1400 (w/o LS)
- K-81-1410 (fitted NEMA 4, 4X LS)
- K-81-1320 (carbon steel variant)

### **EXPORT INFORMATION (USA)**

Jurisdiction: EAR

Classification: EAR99

This document contains technical data subject to the EAR.

All trademarks are the property of their respective owners.

This literature is provided for informational purposes only. Kidde-Fenwal, Inc. assumes no responsibility for the product's suitability for a particular application. The product must be properly applied to work correctly. The technical data contained herein is limited strictly for informational purposes only. Kidde-Fenwal, Inc. believes this data to be accurate, but it is published and presented without any guarantee or warranty whatsoever. If you need more information on this product, or if you have a particular problem or question, contact Kidde-Fenwal, Inc.

